

CMSA

Value IP Camera



CMSAKL800-28

- Value IP Dome
- 1/2.8" SONY Starvis Back-illuminated CMOS sensor
- H.264/H.265/JPEG/AVI Compression Method
- 2.8mm Fixed Lens
- IR Distance 25M Max.
- With Internal POE

www.longse.com

Data Subject To Change Without Notice

SPECIFICATION	
Model NO.	CMSAKL800-28
Camera	
Image Sensor	1/2.8" SONY Starvis Back-illuminated CMOS sensor
Resolution	8MP
Effective Pixels	3864(H)*2192(V)
Compression	H.264/H.265/JPEG/AVI
Audio Compression	G711A/U,AAC
TV System	PAL/NTSC
Electronic Shutter Time	Auto: 1/3-1/100000Sec
Minimum Illumination	Color: 0.05 Lux @ (F1.6, AGC ON),B/W: 0 Lux with IR
S/N Ratio	≥52dB
Scanning System	Progressive
Video Output	Network
Reset Button	YES
Lens	
Focus Length	2.8mm
Focus Control	Fixed
Lens Type	Fixed
Pixels	8MP
Night Vision	
Infrared LED	42μ x 2PCS
Infrared Distance	25M
IR Status	Auto Control
IR Power On	Smart, Manual & Timed mode
Network	
Ethernet	RJ-45 (10/100Base-T)
Wireless	N/A
Protocol	TCP/IP, ICMP, HTTP, HTTPS, FTP, DHCP, DNS, DDNS, RTP, RTSP, RTCP, PPPoE, NTP, SMTP, UDP, SNMP
ONVIF	Support ONVIF 19.12(Profile S/T/G)
P2P	YES
POE	Internal, Support IEEE 802.3af
Video Delay	0.3S (Within the Lan)
Main Stream 1	3840*2160@18fps
Main Stream 2	2560*1440@18fps
Main Stream 3	1920*1080@18fps 1280*720@18fps
Sub Stream 1	1280*720@18fps
Sub Stream 2	720*480@18fps
Sub Stream 3	N/A
Tri Stream	N/A
IE Brower	IE8-11, Google Chrome, Firefox , Mac Safari
Smart Phone	iPhone, Android
AI Function	
Intelligent Analysis	Intrusion Detetion, Line Cross Detetion, Loiter Detetion, People Gather Detecion(based on human detection),Motion detection based on human detection
Camera Features	
Day/Night	Color/ B&W (IR-CUT)
Image Config	Saturation/Brightness/Contrast /Sharpness, Mirror, 3D NR , White Balance, FLK(Flicker Control),Occlusion Detection,HLC
Full Color	N/A
Corridor Pattern	Support
Defog Mode	N/A
ROI	Support
BLC	Support
WDR	120dB
Motion Detection	Support(support enable the detection based on human movement only)
Privacy Masking	3 Rectangular Zone
Recording Mode	NVR/CMS/Web
Language	Chinese Simplified, Chinese Traditional, English, Bulgarian, Polish, Arabic, German, Russian, French, Korean, Portuguese, Japanese, Turkish, Spanish, Hebrew, Italian,Nederlands,Czech, Vietnamese
Interface	
Audio	YES
Alarm	N/A
SD Card Slot	Internal, Support Max 512GB
RS485	N/A
General	
Housing	Eyeball: Metal Base: Plastic , IP67
Anti-cut Bracket	NO
IR Cut Filter	YES
Operation Temperature	-20℃ ~ +60℃ RH95% Max
Storage Temperature	-20℃ ~ +60℃ RH95% Max
Power Source	DC12V±10%, 700mA
Dimension	∅ 109 x 93(H) mm
Weight	600g

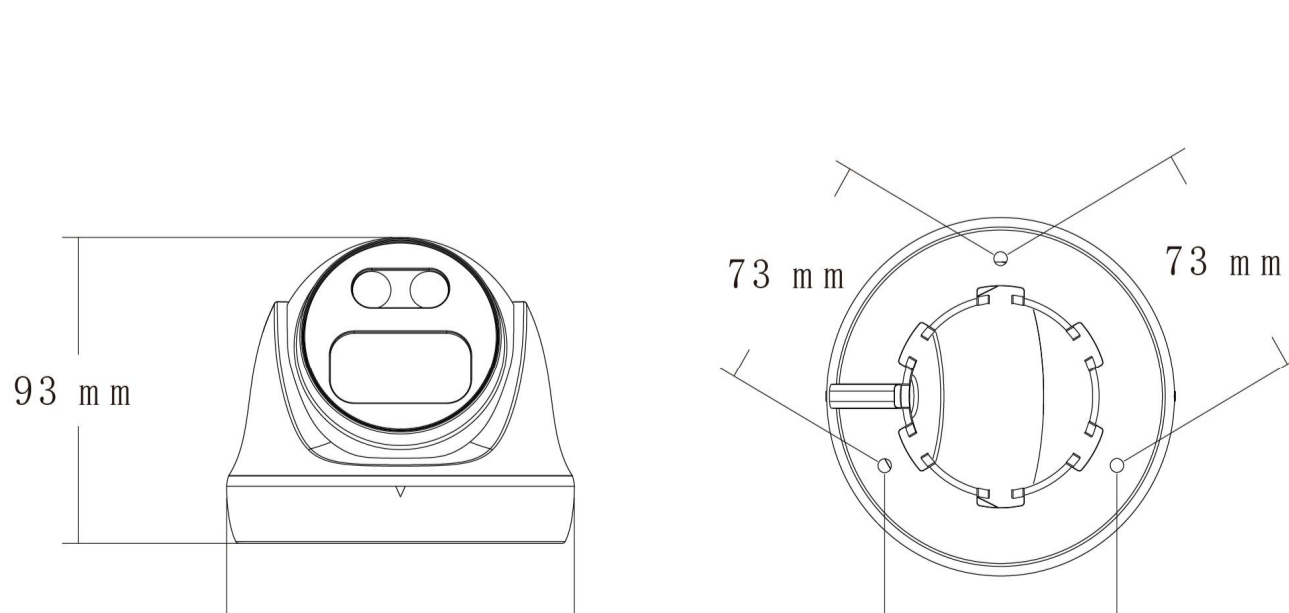
www.longse.com

Data Subject To Change Without Notice

Technical Specifications

Model	CMSA
Material	Aluminum & SECC & PC
Dimension(WxHxD)	∅109 x 93mm
Weight	single set 600g (with packaging 800g)
Color	Sand Grain White
Operating Temperature	-20℃ ~ +60℃
Humidity	< 95% RH
Optional accessories	B116, B320, B173, PC116-CMSA

Dimensions (mm)



www.longse.com

Data Subject To Change Without Notice